

HF102

LANTHAN
Gesellschaft für technische
Entwicklungen mbH & Co. KG

Obstacle light HF102

for nighttime marking of aeronautical obstacles.

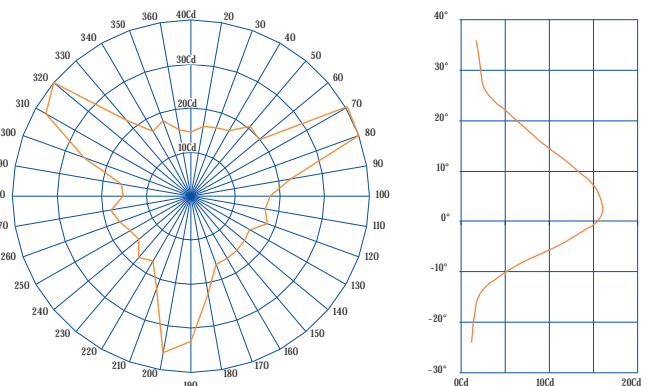
According to the german general administration rule and the ICAO Low Intensity, Type A

- 10 Cd, red
- Power consumption <1,9W
- maintenance-free due to fail safe LED-technology
- durable (>50.000h)
- self supervisory (lifetime and failure)
- low power consumption, ideal for emergency power use and stand-alone power solutions
- wide range of operating voltage (10-50V DC)
- Easy to mount due to the M12 HARAX® connector. The termination takes place by simply bolting the coupling ring with the contact carrier. Specialist tools for stripping the wire or for bolting the HARAX® components are not necessary.

Significant for the Lanthan Obstacle light is a compact and rugged construction and the self supervision. The well dimensioned heatsink guarantees a minimal degradation of light intensity over 50.000 hours. For furthermore the intensity of 10Cd cannot be guaranteed.



LANTHAN
Gesellschaft für technische Entwicklungen mbH & Co. KG
Herdentorsteinweg 44/45
D-28195 Bremen, Germany
Tel.: +49/ (0)421 / 800 48 - 20
Fax.: +49/ (0)421 / 800 48 - 21
Email: info@lanthan.eu
www.lanthan.eu



Low Intensity Obstacle light

HF102

LANTHAN
Gesellschaft für technische
Entwicklungen mbH & Co. KG

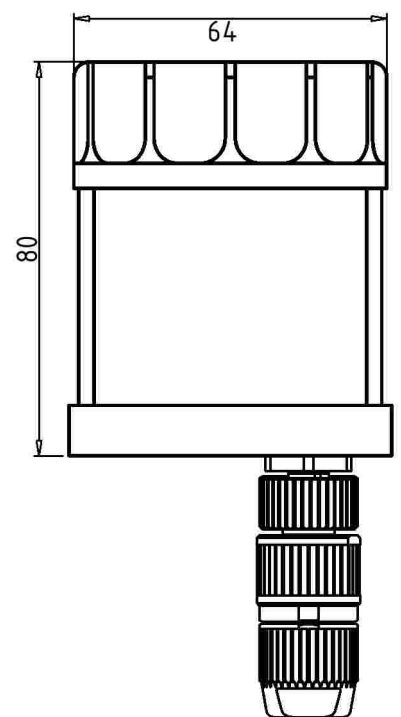
Technical data

Operating voltage	10 bis 50 V
Valid operating temperature	-40 bis +55 °C
Nominal power	<1,9W
Operational current	U _b = 24V 0,08 A
Intensity of light	> 10cd red, 360° horizontal according to ICAO Annex 14 Low Intensity, Type A
Lifespan	>50 .000h
Enclosure	Aluminium, seawaterresistant PMMA, UV-resistant
Protection class	IP 67, with venting element
Weight	300g
Dimensions	ca. 64 x 80mm (body without plug)
Surge protection	Integrated
Failure detection	Integrated, fail-safe 24V DC (at 24V supply voltage)
Measuring of operating duration	Integrated, failure after 50.000h
Specifications	CE certified accredited: ICAO Annex 14 and General administration rule of the german federal government by BMVBW
Connector	connector M12 2-4pole, according to application 2 x operating voltage 1 x grounding wire 1 x failure signal

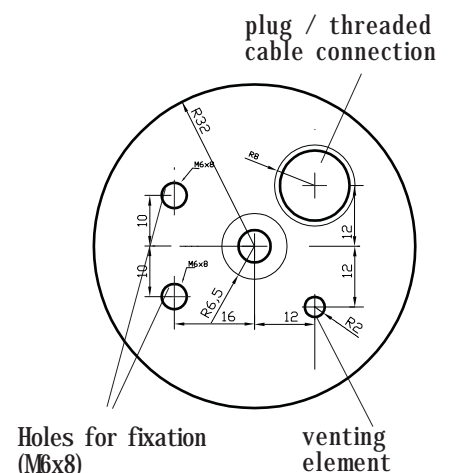
Optional add ons

- fixtures on individual demand
- stand by set with accumulator or fuel cell
- supervision- and errortransmitting systems
- selfsupervisory and redundant Twilightswitch MDS-50
- stand-alone power supply: fue lcell
photovoltaic
windturbine

Side view



Bottom view



The drillings with M6 screw threads
are for the fixing of the light